



Detroit Speed, Inc.
Fuel Sending Unit
 For use with DSE Narrowed Fuel Tanks
 P/N: 080201, 080206

The Detroit Speed, Inc. sending unit is an excellent solution when using a DSE Narrowed Fuel Tank. The sending unit (p/n 080201) operates on a 0-90 ohm scale which allows it to be used with factory GM gauges as well as most aftermarket gauges. The sending unit (p/n 080206) operates on a 75-10 ohm scale which allows it to be used with the factory Ford pre-1987 gauges as well as most aftermarket gauges.

A = Tank Depth, B = Float Pivot Depth, C = Float Arm Length (Dimensions shown are in inches)					
A	B	C	A	B	C
6.0	3.00	3.5	14.0	7.00	9.3
6.5	3.25	3.8	14.5	7.25	9.6
7.0	3.50	4.2	15.0	7.50	10.0
7.5	3.75	4.5	15.5	7.75	10.4
8.0	4.00	4.9	16.0	8.0	10.7
8.5	4.25	5.3	16.5	8.25	11.0
9.0	4.50	5.6	17.0	8.5	11.4
9.5	4.75	6.0	17.5	8.75	11.8
10.0	5.00	6.4	18.0	9.0	12.0
10.5	5.25	6.7	18.5	9.25	12.3
11.0	5.50	7.1	19.0	9.5	12.6
11.5	5.75	7.4	19.5	9.75	12.9
12.0	6.00	7.8	20.0	10.0	13.4
12.5	6.25	8.1	20.5	10.25	13.8
13.0	6.50	8.5	21.0	10.5	14.2
13.5	6.75	8.9			

Figure 1 - Depth Chart

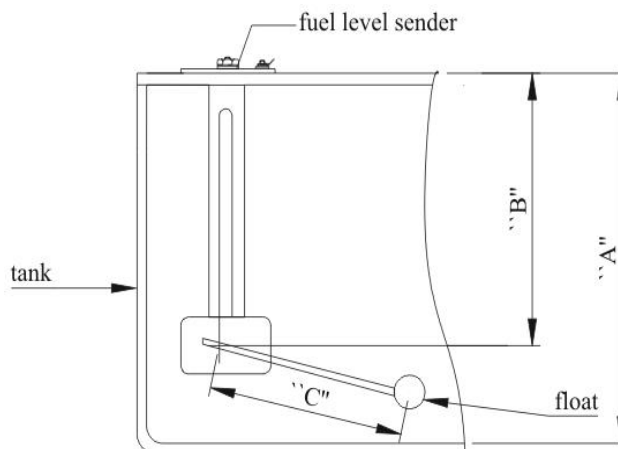


Figure 2 - Depth Illustration

As shipped, the sending unit will work for tanks with depths greater than 15.5". For depths greater than 15.5", adjust the float pivot depth by loosening the screws marked "d" on figure 3 and sliding the float pivot to the depth listed in column B of figure 1. Once the float pivot depth is set, skip to step 5 of the instructions below. For tanks with depths less than 15.5", follow the instructions below for converting the sending unit to work.

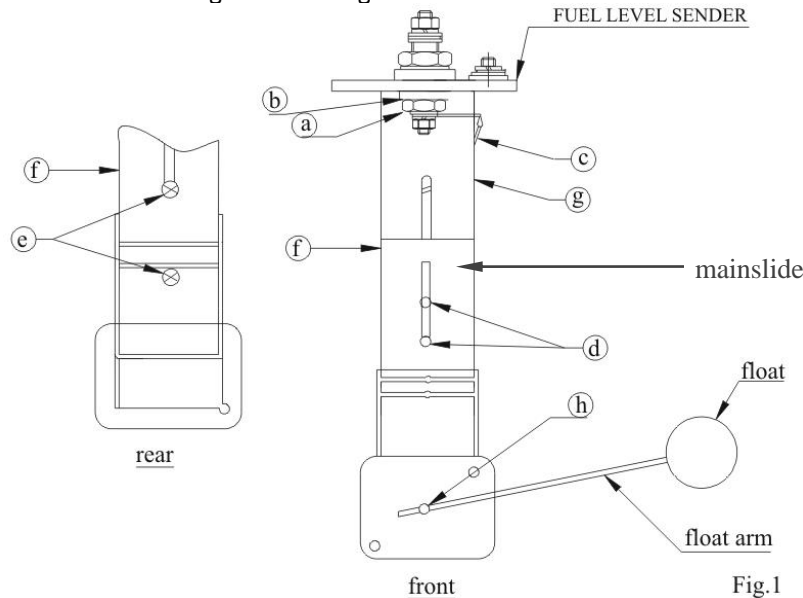


Figure 3 - Sending Unit Breakdown

1. Disassemble the sending unit by removing the screws "e" from the plastic fuel level sensor. Keep these screws as they will be used for reassembly. Be careful when removing the sensor as to not damage the wire going to the top of the sending unit.
2. Remove the screws "d" from the mainslide. The mainslide is the portion the sensor attaches to and is shown above in Figure 3. The mainslide and the screws removed will not be used during reassembly and can be discarded.
3. Reinstall the sensor onto the metal slides and reinstall the screws into the sensor. **CAUTION:** Make sure the wire is wrapped around the slide and out of the way of the float level. Do not tighten the screws at this time.
4. Slide the sensor up or down on the metal slide until the dimension listed as "B" in the chart above in Figure 1 is achieved. **CAUTION:** Do not overtighten the screws holding the sensor.
5. Install the float assembly by loosening screw "h", removing the short piece of rod and discard.
6. Insert the float rod until the dimension listed as "C" in the chart above in Figure 1. Tighten the screw securely and remove any excess rod with a bolt cutter or similar tool. Take care not to damage the assembly. **NOTE:** Make sure the float arm is installed as shown in Figure 3. If installed backwards, the fuel gauge will indicate "FULL" when the tank is empty and "EMPTY" when the tank is full.
7. Install the sending unit into the fuel tank. Position the gasket below the flange and align the holes in both the gasket and sender to the fuel tank. Install the bolts into the fuel tank. The bolts are tight when the o-rings on the bolts start to compress do not overtighten.

If you have any questions before or during the installation of this product please contact Detroit Speed at tech@detroitsspeed.com or 704.662.3272

Legal Disclaimer: Detroit Speed and Engineering, Inc. is not liable for personal, property, legal, or financial damages from the use or misuse of any product we sell. The purchaser is solely responsible for the safety and performance of these products. No warranty is expressed or implied.